



CALLYCO MAKES IT UP!

WE ALSO MAKE IT SIMPLE.

CALLYCO

Fine Fabrics and Accessories

MADE TO MEASURE CURTAINS & BLINDS FROM CALLYCO
YOUR GUIDE TO MEASURING UP!

MADE TO MEASURE CURTAINS & BLINDS FROM CALLYCO

When it comes to making up curtains and blinds, the team at CallyCo has many years of experience. Using this easy-to-follow guide makes the ordering process simple and we aim to have your curtains or blinds ready within two to four weeks. You may also be surprised by the very reasonable prices!

'We recently moved into a new house and had six Roman blinds made for us by CallyCo. Quite simply, we are delighted with them. They are beautiful and the whole service was just excellent. Faultless!'

Sue & Rodd Mann, Stamford

'Having had an extension to our house, I needed lots of inspiration and the place to go was CallyCo. With very friendly, enthusiastic and experienced staff I received lots of help and advice, and the making-up service was second-to-none. Excellent quality, outstanding service and I wouldn't go anywhere else. My daughter's bedroom has been transformed from a little girl's room to a sophisticated young lady's room.'

Julie Kay, Carlby

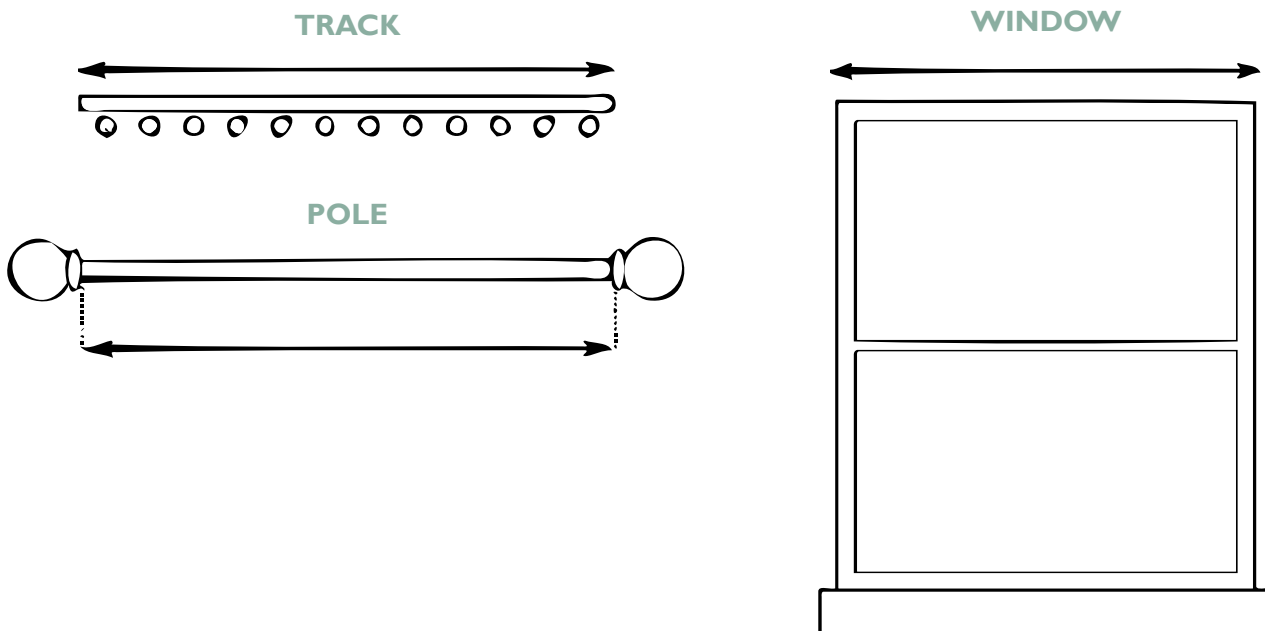
'I heard about CallyCo from a friend. I was very impressed with the range of fabrics in the shop that you can see properly – rather than from a tiny book. They went on to make blinds, curtains and cushions for me, which all look fabulous, at a really reasonable price and much quicker than I expected!'

Lucy Conley, Stamford

MEASURING FOR CURTAINS

If you have a bay window, please come and talk to us and we will explain how to measure for this.

1. Measure your curtain track or pole in between the finials. If you do not have a track/pole at present, measure the width of your window and remember we have a great selection of poles in store!



Note down the measurements (please specify your unit of measurement i.e Metre; Centimetres; Feet; or Inches).

Curtain track/pole: _____ Or window: _____

2. Next, measure the A) drop - from the track/rings on the pole (or where the rings will be), to where you'd like the curtains to end (e.g. floor, sill, below sill/above radiator, etc)

A _____

3. What style of heading would you like?

Pencil pleat



Triple pleat



Tab-headed



Eyelets



French flap



4. Your choice of lining?

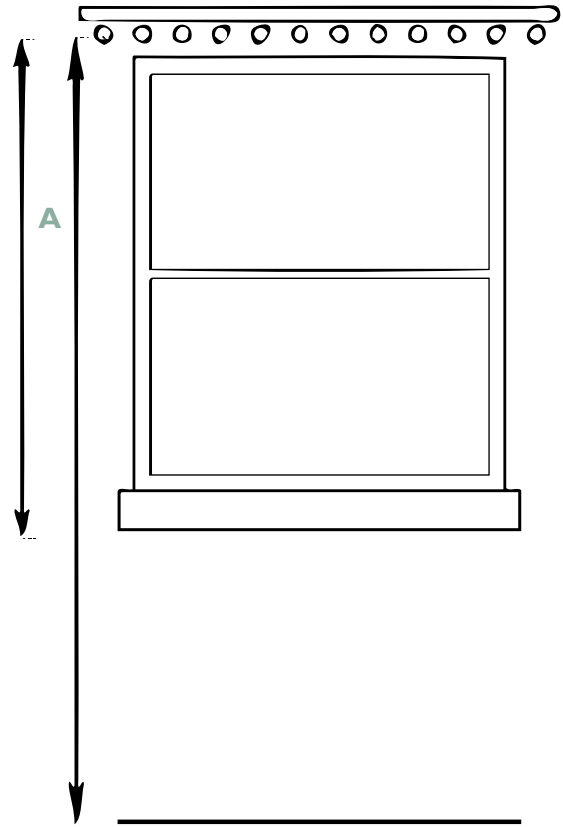
White cotton

Ivory cotton

Blackout

Additional option:

Interlining



MEASURING FOR ROMAN BLINDS

1. Blinds sit either A) inside or B) outside of the window recess. Before measuring, decide which you prefer, then C) take a measurement for the drop (From top of the inside recess, or from above the outside recess).

A _____ or B _____ C _____

2. Which side do you want the pull cord to hang?

Left Right

3. What lining would you like?

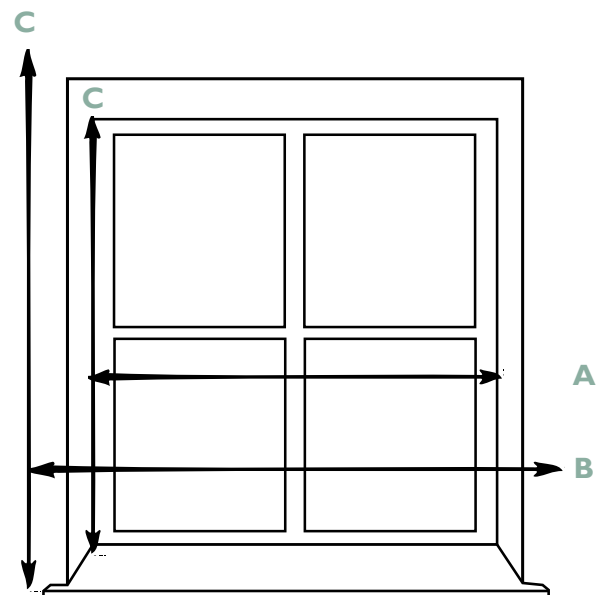
White cotton

Ivory cotton

Blackout

Additional option:

Interlining



EXAMPLE PRICES

To fit a window measuring 1.3m wide by 1.5m length, if you chose a fabric costing £12.90 per metre, a pair of fully-lined curtains would cost £121.02 (including the making up cost). For a fully-lined, ready to hang Roman blind to fit a window measuring 1.2m wide by 1m in length, in a fabric costing £14.90 per metre, the cost would be £142.56 (including the making up cost).

Our making up services are designed around you – tie backs, new cushion covers, curtain alterations, bed throws, dog bed covers or even curtains for your VW campervan! We are happy to provide fabric samples at no extra charge. We are also happy to give advice on which fabrics work best in each room and talk through any ideas to help bring a personal touch to your home.

If you don't have time to come into the shop, please feel free to call us (see below for the telephone number of your local CallyCo shop), email: enquiries@callyco.com with the further information requested below and we will be happy to talk through your requirements.

Come in and see us soon!!

Further information for your curtain/blind/soft furnishing order

Full Name _____

Address _____

Postcode _____

Preferred Contact Telephone _____

Email _____

Main Fabric/s To Be Used _____

Come and see our wonderful range of furnishing fabrics in store!

Any Other Useful Information _____

CALLYCO

Fine Fabrics and Accessories

CAMBRIDGE

7 Peas Hill
Cambridge CB2 3PP
Tel 01223 778744

STAMFORD

5 Stamford Walk
Stamford
Lincolnshire PE9 2JE
Tel 01780 753409

LINCOLN

86 Bailgate
Lincoln LN1 3AR
Tel 01522 544666

www.CallyCo.com
enquiries@CallyCo.com